



|   |         |
|---|---------|
| Job or Customer :   |         |
| Location :  |         |
| Engineer :  |         |
| <input type="checkbox"/> Complies with Spec<br><input type="checkbox"/> Alternate | Notes : |
| Contractor :  |         |
| Tamas Rep :   |         |
| Submitted By :  | Date :  |
| Approved By :   | Date :  |
| P.O. Number :   | Date :  |

**Description**

The Tamas Commercial Snowmelt Mixing Panel provides a 3-Way mixing valve and System pump for the distribution of mixed water for each of the zones.

**Nominal Panel Output**

| Qty | Model #            | Description   |
|-----|--------------------|---|
|     | T-MIX-3V-26-150-HT | Snowmelt Mixing Panel with (1) UPS 26-150F System Pump, (1) 3-Way CMixing Valve with Actuator, and Heat Timer Control |
|     | T-MIX-3V-32-160-HT | Mixing Panel with (1) UPS 32-160F System Pump, (1) 3-Way CMixing Valve with Actuator, and Heat Timer Control          |

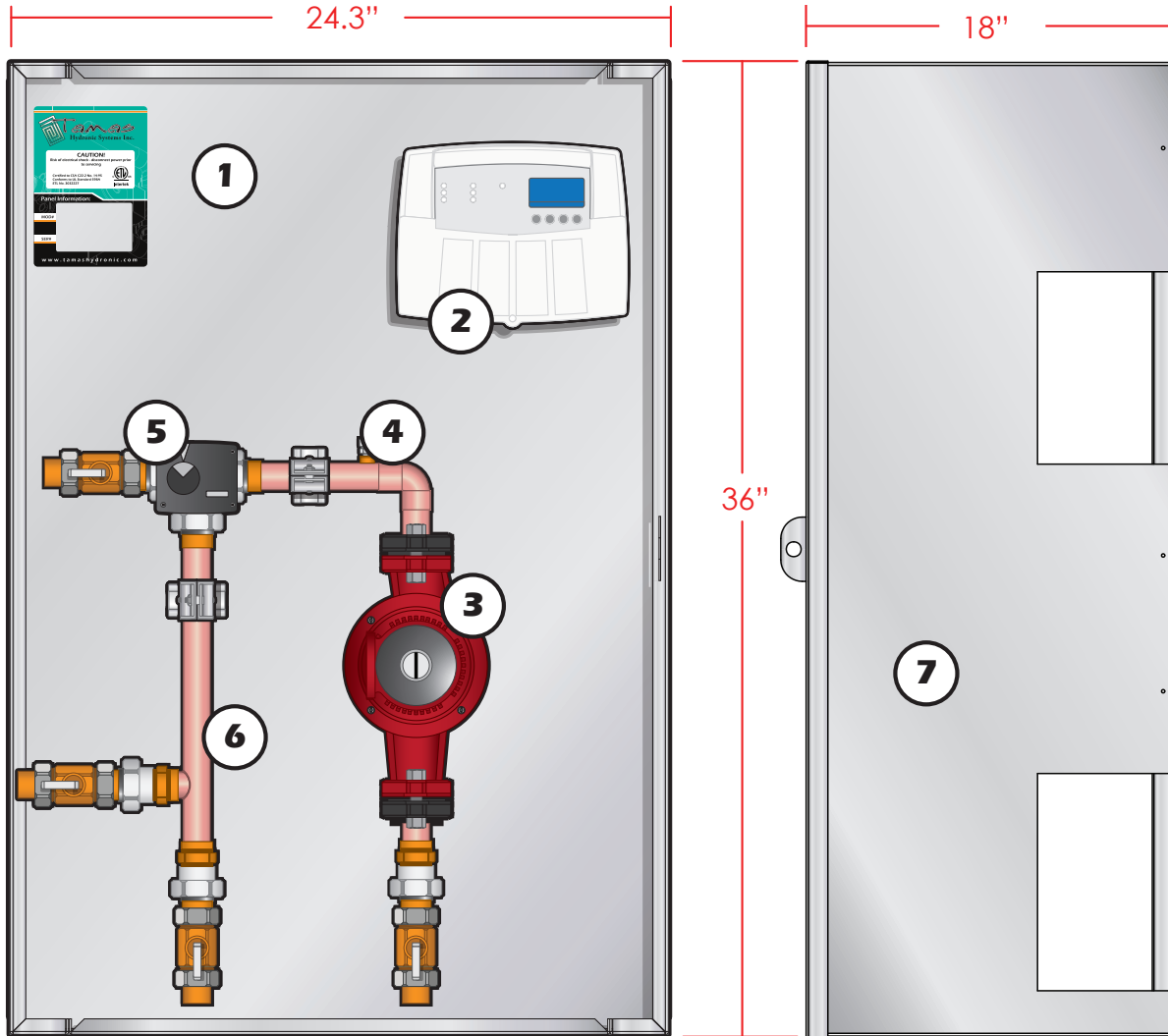
**Technical Data**

|                              |                            |
|------------------------------|----------------------------|
| <b>Material:</b>             |                            |
| Backpan.....                 | Galvanized Steel           |
| Enclosure.....               | Powder Coated Steel        |
| Piping.....                  | Copper/Stainless Steel     |
| Mixing Device.....           | 3-Way Mixing Valve         |
| Max Ambient Temperature..... | 120°F (49°C)               |
| Max Water Temperature.....   | 200°F (93°C)               |
| Power Supply.....            | 110V (AC) Max Current 6amp |

**Standards/Listings**

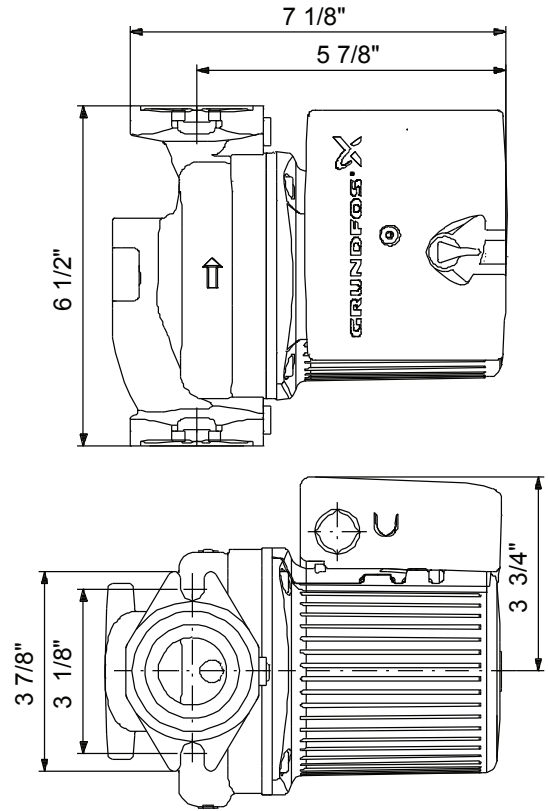
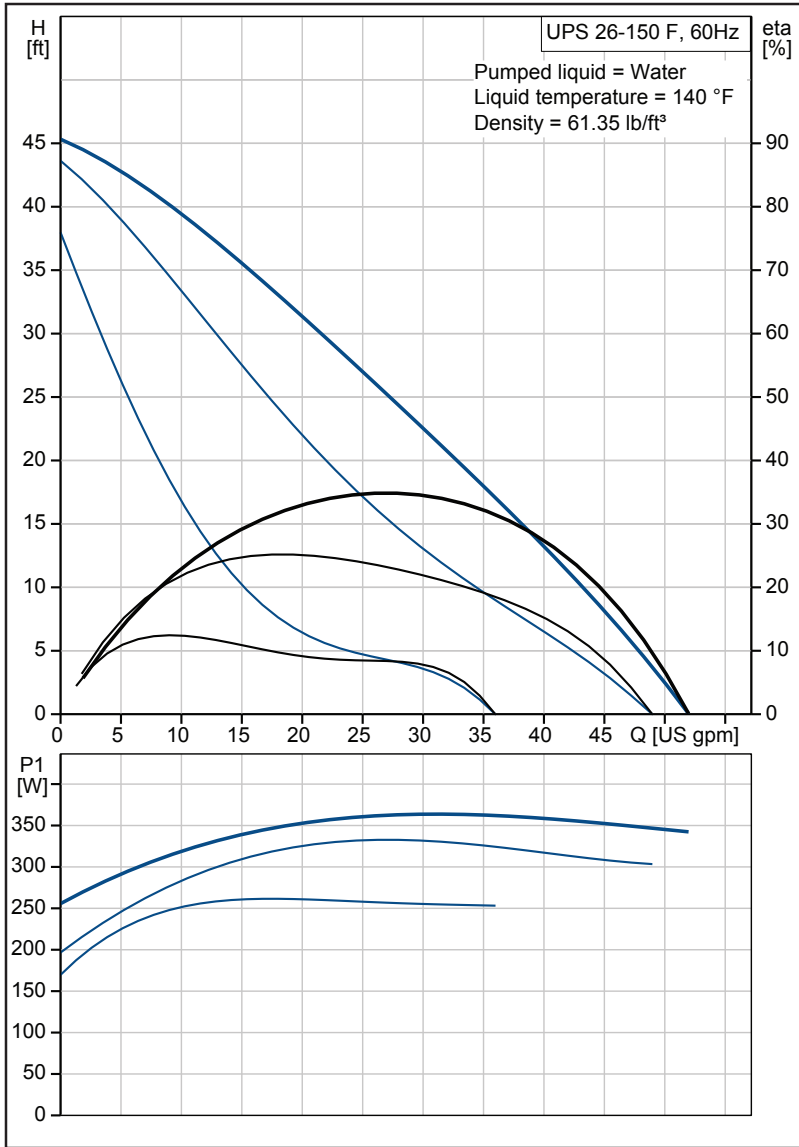
- CSA C22.2 No. 14-95
- UL 598A
- ETL No. 3032227

**Components**



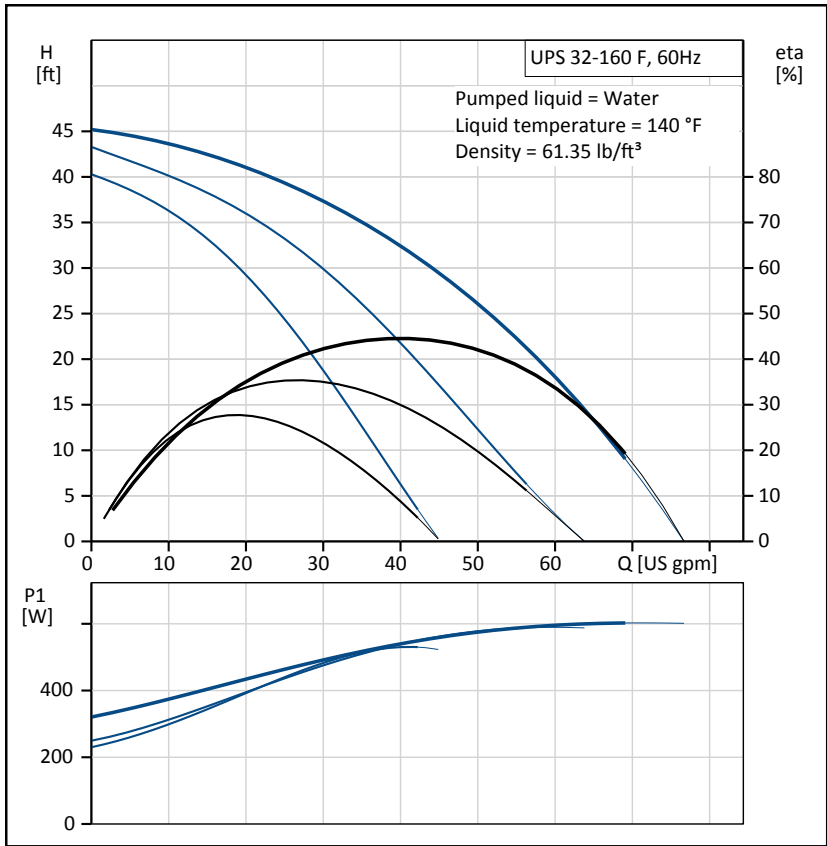
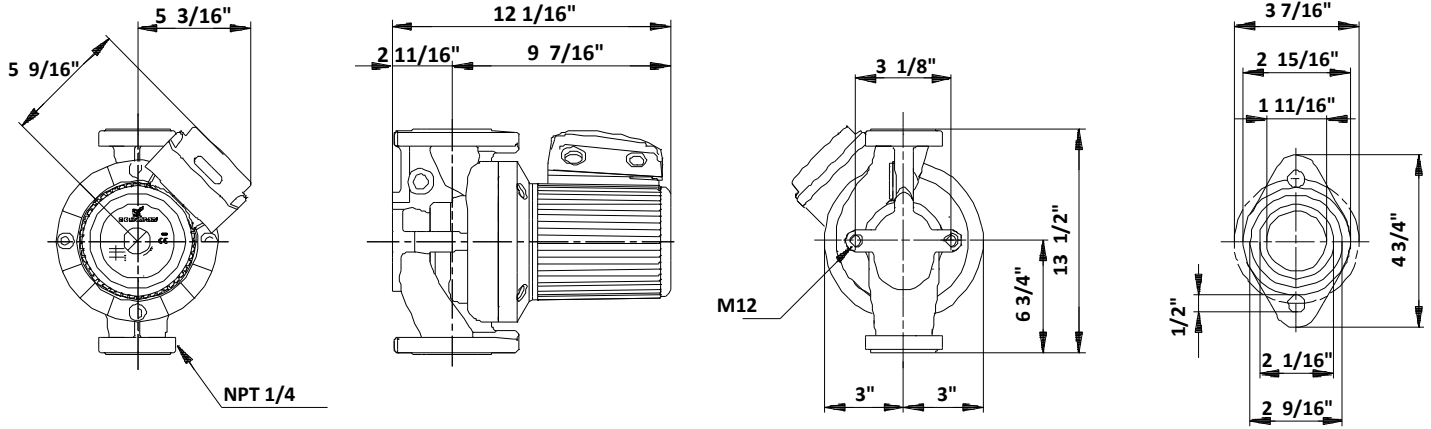
| Components |                              |   |                                  |
|------------|------------------------------|---|----------------------------------|
| 1          | Galvanized Backpan           | 5 | 3-Way Mixing Valve with Actuator |
| 2          | Heat Timer Snow Melt Control | 6 | 2" Isolation Ball Valves         |
| 3          | System Pump                  | 7 | Powder Coated Steel Cover        |
| 4          | Air Vent                     |   |                                  |

**UPs 26-150 Pump Specifications**



| Description             | Value     |
|-------------------------|-----------|
| <b>Technical:</b>       |           |
| Speed Number:           | 3         |
| Max flow:               | 52 US gpm |
| Head max:               | 45.3 ft   |
| Approvals on nameplate: | ETL, CSA  |

**UPS 32-160 F Pump Specifications**



**Technical:**

|                         |         |
|-------------------------|---------|
| Speed Number:           | 3       |
| Head max:               | 52.5 ft |
| Approvals on nameplate: | CUL     |
| Model:                  | C       |

**Liquid:**

|                           |                          |
|---------------------------|--------------------------|
| Pumped liquid:            | Water                    |
| Liquid temperature range: | 14 .. 248 °F             |
| Liquid temp:              | 140 °F                   |
| Density:                  | 61.35 lb/ft <sup>3</sup> |

### 3 Way Valve

The 3 way valve is designed to mix water to the appropriate temperature to meet the zone or system requirements within heating and cooling systems.

#### Technical Specifications

|  |  |
|--|--|
| CV <sup>1</sup>  | 46.8   |
| Size   | 2"   |
| Max. operating pressure  | 145psi (10 bar)                                    |
| Max. operating temperature   | 230°F (110°C)                                      |
| Min. operating temperature   | -15°F (-10°C)                                      |
| Max. differential pressure   | Mixing: 14.5 psi (1bar)<br>Diverting: 20psi (2bar) |
| Leakage in % of flow<br>(based on diff. pressure of 14.5psi (1 bar)) | Mixing: <0.05%<br>Diverting: <0.02%                |
| Max. torque  | <44lbf·in (<5Nm)                                   |
| Allowable fluid  | 1) Water, 2) Glycol mixture, max. 50%              |



### Motor Actuator

#### Technical Specifications

- Supply Voltage:** 24VAC/DC +/- 10% 50/60Hz
- Power Consumption:** 2VA
- Rotation:** 90°
- Torque:** 53.1 lbf.in (6 Nm)
- Mountable Valve size:** 1/2" to 2" ESBE rotary mixing valves, Series MG, G and VRG (for 638 mountable on sizes 1/2" to 1-1/4")
- Enclosure:** NEMA 1, IP 41
- Ambient Temp. Range:** 23 to 131°F (-5 to 55°C)
- Weight:** 1lb (0.4kg)
- Run Time (sec):** 96
- Auxiliary Switch:** Max 2A, adjustable cam position (663 actuator does not have Aux. switch)



## Heat Timer Control Specifications



**NOTE:** for field wiring, please refer to Heat Timer control manual

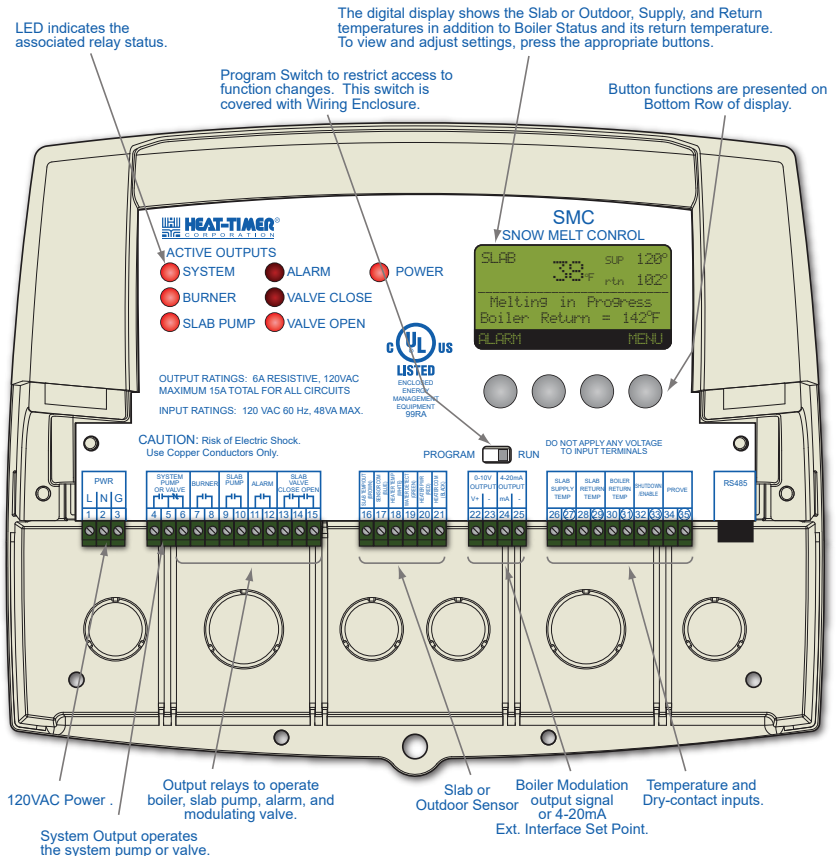
### SMC Specifications

|                                       |   |
|---------------------------------------|---|
| <b>Operating Temperature:</b>         | 20°F/-6°C to 120°F/49°C   |
| <b>Voltage Input:</b>                 | 120 VAC 60 Hz   |
| <b>Maximum Input Rating:</b>          | 48 VA Max   |
| <b>Output Built-in Relay Ratings:</b> | 2 Amp inductive (Maximum of 1/4 HP) at 120 VAC 60 Hz  |
| <b>Output Built-in Relays:</b>        | 1 System, 1 Boiler, 1 Slab Pump, 1 Alarm, 2 Motorized Valve   |
| <b>Output LEDs:</b>                   | 1 System, 1 Boiler, 1 Slab Pump, 1 Alarm, 2 Motorized Valve, and 1 Power  |
| <b>Inputs:</b>                        | Shutdown/Enable, Prove, 1 Slab Sensor (Composite), Outdoor, Slab Supply and Slab Return Temps, Boiler Return Temp |
| <b>Modulating Outputs:</b>            | 0-10V, 4-20mA, or Floating (3-Point)  |
| <b>Seasons:</b>                       | Winter and Summer   |
| <b>Operating Modes:</b>               | Slab Sensor or Outdoor Sensor   |
| <b>Control Mode:</b>                  | Mixing Valve, Boiler, or External Interface (sends a 4-20mA set point to an external control)                     |
| <b>Warm Weather Cutoff:</b>           | 34°F/1°C to 44°F/7°C  |
| <b>Cold Weather Cutoff:</b>           | On, Off, and 0°F/18°C to 20°F/-7°C  |
| <b>Idle Set Point:</b>                | Off, and 20°F/-7°C to 44°F/7°C  |

|                                      |  |
|--------------------------------------|--|
| <b>Minimum Runtime:</b>              | 0 to 4 hours                           |
| <b>Maximum Delay T:</b>              | 10°F/6°C to 50°F/28°C                  |
| <b>Minimum Boiler Return:</b>        | Off, and 40°F/4°C to 140°F/60°C        |
| <b>Heating Curve:</b>                | from -10 to +10                        |
| <b>Modulating Boiler Ignition %:</b> | from 1% to 50%                         |
| <b>Buttons:</b>                      | 4 buttons each with multiple functions |
| <b>Dimensions:</b>                   | 7 1/8" W x 9 5/8" H x 3 1/2" D         |
| <b>Weight:</b>                       | 2 pounds                               |
| <b>Operating Temperature Range:</b>  | -30°F/-34°C to 250°F/121°C             |

### Slab Sensor Specifications

|                               |          |
|-------------------------------|----------|
| <b>Sensor Case:</b>           | Brass    |
| <b>Cable length Provided:</b> | 100 Feet |
| <b>Weight:</b>                | 5 pounds |



## Limited Warranty

Tamas Hydronic Systems Inc. warrants each of its products to be free from defects in workmanship and materials under normal use and service for a period of 24 months from date of purchase from a Tamas Hydronic Systems inc. authorized Dealer.

If the product proves to be defective within the applicable warranty period, Tamas Hydronic Systems Inc. on its sole discretion will repair or replace said product. Replacement product may be new or refurbished of equivalent or better specifications, relative to the defective product. Replacement product need not be of identical design or model. Any repair or replacement product pursuant to this warranty shall be warranted for not less than 90 days from date of such repair, irrespective of any earlier expiration of original warranty period. When Tamas Hydronic Systems Inc. Provides replacement, the defective product becomes the property of Tamas Hydronic Systems Inc.

Warranty Service, within the applicable warranty period, may be obtained by contacting your nearest Tamas Hydronic Systems Inc. office via the original Authorized Agent and requesting a Return Material Authorization Number (RMA #). Proof of purchase in the form a dated invoice/ receipt must be provided to expedite the issuance of a Factory RMA.

After an RMA number has been issued, the defective product must be packaged securely in the original or other suitable shipping package to ensure that it will not be damaged in transit. The RMA number must be visible on the outside of the package and a copy included inside the package. The package must be mailed or otherwise shipped back to Tamas Hydronic Systems Inc. with all costs of mailing/shipping/insurance prepaid by the warranty claimant.

Any package(s) returned to Tamas Hydronic Systems Inc. without an approved and visible RMA number will be rejected and shipped back to purchaser at purchaser's expense. Tamas Hydronic Systems Inc. reserves the right, if deemed necessary, to charge a reasonable levy for costs incurred, additional to mailing or shipping costs.

## Limitation of Warranties

If the Tamas Hydronic Systems Inc. product does not operate as warranted above the purchasers sole remedy shall be, at Tamas Hydronic Systems Inc.' s option, repair or replacement. The foregoing warranties and remedies are exclusive and in lieu of all other warranties, expressed or implied, either in fact or by operation of law, statutory or otherwise, including warranties of merchantability and fitness for a particular purpose/application. Tamas Hydronic Systems Inc. neither assumes nor authorizes any other person to assume for it any other liability in connection with the sale, installation maintenance or use of Tamas Hydronic Systems Inc. products.

Tamas Hydronic Systems Inc. shall not be liable under this warranty; if its testing and examination discloses that the alleged defect in the product does not exist or was caused by the purchasers or third persons misuse, neglect, improper installation or testing, unauthorized attempts to repair or any other cause beyond the range of intended use, or by accident, fire, lightning or other hazard.

## Limitation of Liability

In no event will Tamas Hydronic Systems Inc. be liable for any damages, including loss of data, loss of profits, costs of cover or other incidental, consequential or indirect damages arising out of the installation, maintenance, commissioning, performance, failure or interruption of a Tamas Hydronic Systems Inc. product, however caused and on any theory of liability. This limitation will apply even if Tamas Hydronic Systems Inc. has been advised of the possibility of such damage.

## Local Law

This limited warranty statement gives the purchaser specific legal rights. The purchaser may also have other rights which vary from state to state in the United States, from Province to Province in Canada and from Country to Country elsewhere in the world.

To the extent this Limited Warranty Statement is inconsistent with local law, this statement shall be deemed modified to be consistent with such local law. Under such local law, certain disclaimers and limitations of this statement may not apply to the purchaser. For example, some states in the United States, as well as some governments outside the United States (including Canadian Provinces), may:

1. Preclude the disclaimers and limitations in this statement from limiting the statutory rights of a consumer (e.g. United Kingdom);
2. Otherwise restrict the ability of a manufacturer to enforce such disclaimers or limitations; or
3. Grant the purchaser additional warranty rights which the manufacturer cannot disclaim, or not allow limitations on the duration of implied warranties.