

## Heat/Chill Pump Package



The Tamas Hydronic Pump package is a versatile and adaptable system that can be assembled in many different configurations to suit site needs. Our standard pumps that we offer are from Grundfos, and our Hydronic VFD is programmable for up to five pumps. The Tamas control box that is attached to our pump package frame comes with L.E.D. operational lights and manual override switches that can be set to automatic (V.F.D. run), manual (full output), or in the off position. These features allow any potentially servicing that may be required to be carried out in safe manner without having to compromise the building load and keep the system running.

### FEATURES

- V.F.D (Variable Frequency Drive)
- 3 Contactor bypass
- Manual and auto select switch
- Pressure transmitters
- Available with sensor-less VFD logic  
\*(Pump data required)\*
- Triple duty valves
- Suction guides
- Skid mounted setup
- Available horizontal and vertical connection



#### Custom, Reliable Hydronic Systems

Tamas Hydronic Systems Inc.  
4516 112 Avenue SE  
Calgary, Alberta T2C 2K2

Phone: 1 (403) 279 0020  
Fax: 1 (403) 279 0747  
[info@tamashydronic.com](mailto:info@tamashydronic.com)



[/TamasHydronicSystems](https://www.facebook.com/TamasHydronicSystems)



[/TamasHydronic](https://twitter.com/TamasHydronic)

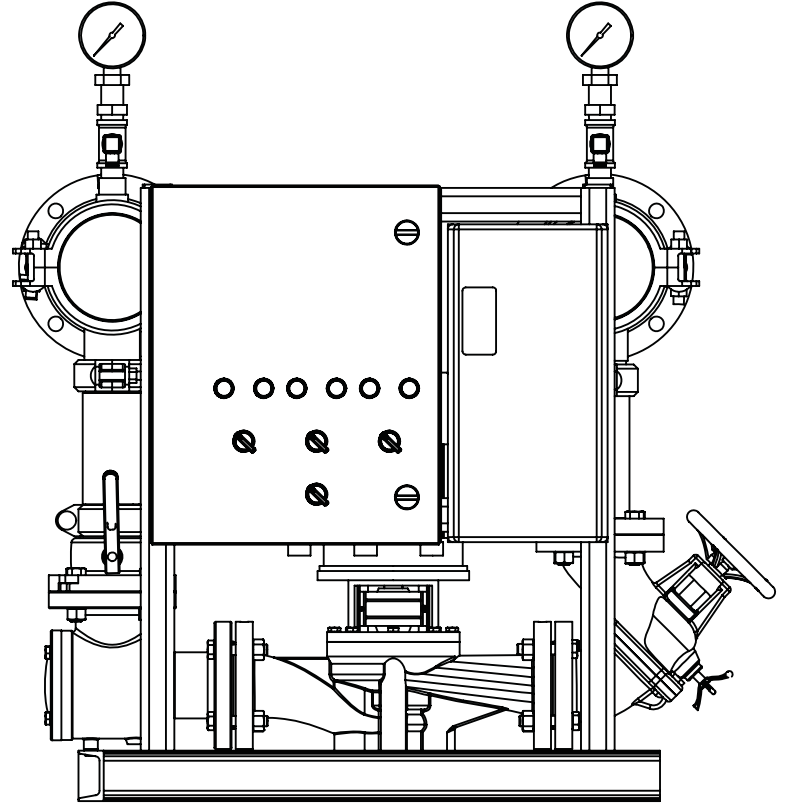
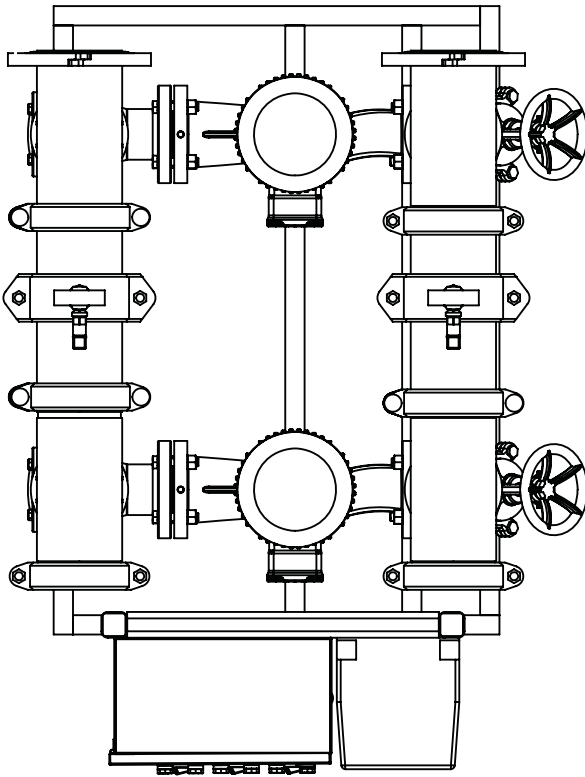


[/company/tamas-hydronic-systems](https://www.linkedin.com/company/tamas-hydronic-systems)

## Technical Information

Parallel Pump Application with Variable Frequency Drive.

Also available in cascade or duty stand-by operation



NOTE: Call factory for different sizing

Model #	Max Head Meter	Max Flow GPM	Pump Type	Pumps	Horspower	Pump connection	Manifold size	Control type	Connection Horizontal /Vertical
T-V3- 2C-HG-24-600	29	400	Grundfos or equivalent	2	3	3"	6"	cascade	H/V
T-V3- 2C-HG-16-400	20	400	Grundfos or equivalent	2	3	3"	6"	cascade	H/V
T-V2- 2C-HG-08-300	12	300	Grundfos or equivalent	2	1.5	3"	6"	cascade	H/V
T-V2- 2C-HG-24-200	27	200	Grundfos or equivalent	2	2	2"	4"	cascade	H/V
T-V2- 2C-HG-16-200	20	200	Grundfos or equivalent	2	1.5	2"	4"	cascade	H/V
T-V1- 2C-HG-08-180	14	180	Grundfos or equivalent	2	0.75	2"	4"	cascade	H/V
T-V2- 2C-HG-24-140	27	140	Grundfos or equivalent	2	0.75	1 1/2"	4"	cascade	H/V
T-V2- 2C-HG-16-120	20	120	Grundfos or equivalent	2	0.75	1 1/2"	4"	cascade	H/V
T-V2- 2C-HG-08-100	13	100	Grundfos or equivalent	2	0.75	1 1/2"	4"	cascade	H/V

Call factory for different sizing requirement