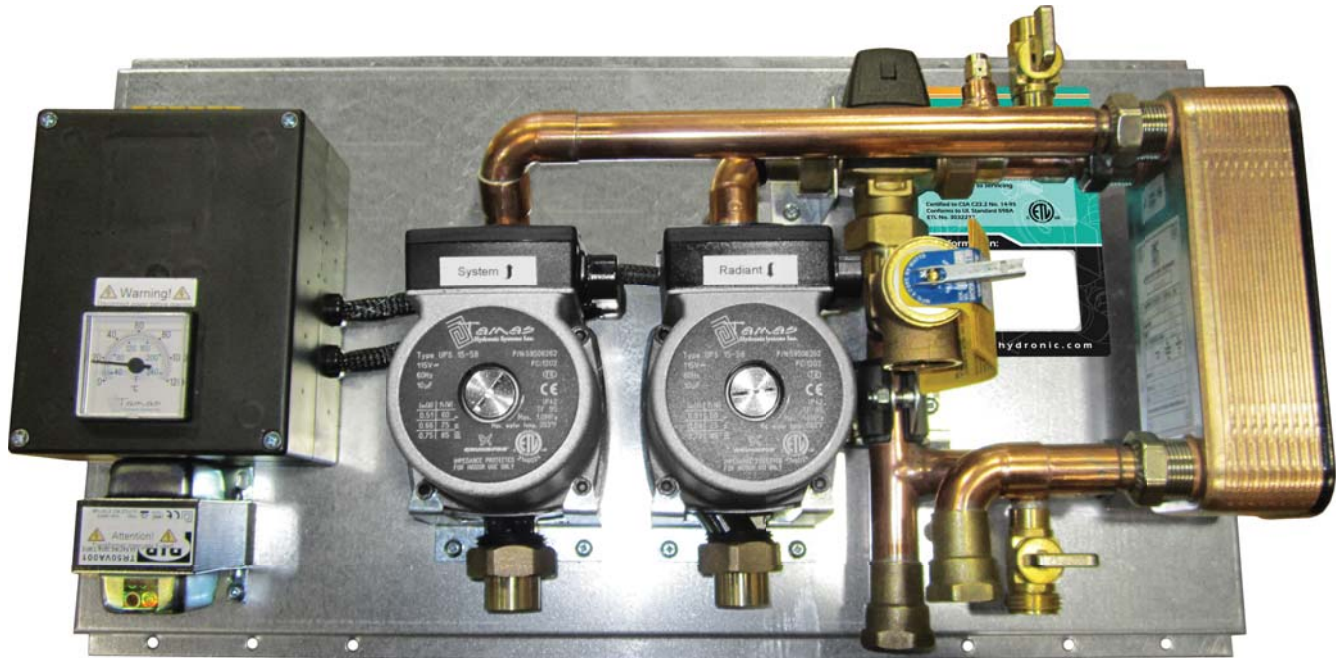


Tamas Isolation Panels



The Tamas Isolation panel is designed to be used in applications where isolation of water/glycol mixtures is needed. (Or for poly B applications)

When a T-LO-TP-HX10 or T-HI-OP-HX10 is connected to a hot water tank system the panel regulates the water distribution and temperature to accommodate demand.

Features and Benefits

- Adaptable to almost all hot water tank systems
- Function & pressure tested
- Trouble-free wiring
- Plug & Play design
- Quick & easy installation saves time & money



Custom, Reliable Hydronic Systems

Tamas Hydronic Systems Inc.
4516 112 Avenue SE
Calgary, Alberta T2C 2K2

Phone: 1 (403) 279 0020
Fax: 1 (403) 279 0747
info@tamashydronic.com



/TamasHydronicSystems



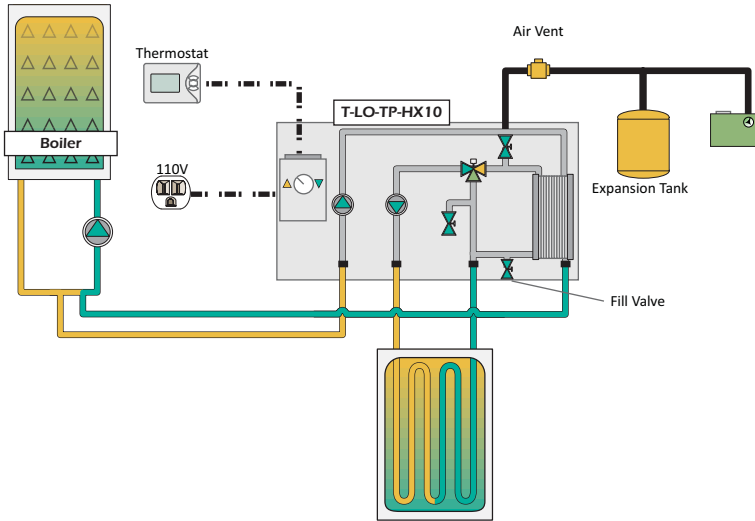
/TamasHydronic



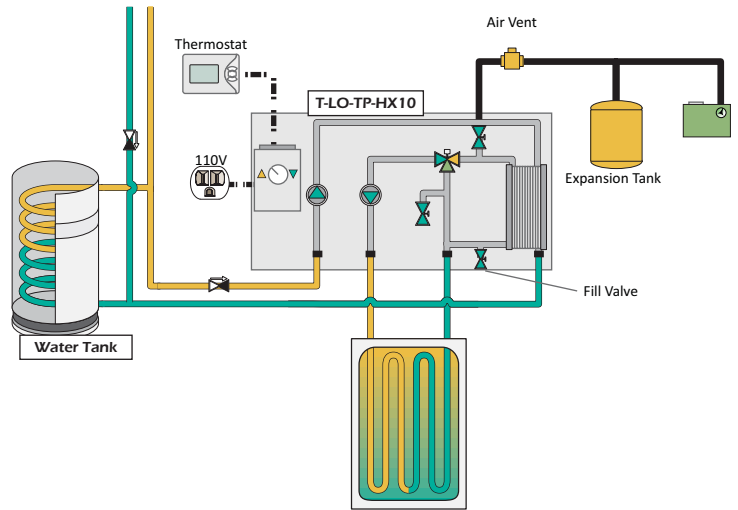
/company/tamas-hydronic-systems

T-LO-TP-HX10 Piping Diagrams

Boiler Piping Schematic



Water Tank Piping Schematic



UPS 15-58 Pump Specifications

		AMPS	WATTS	HP	CAPACITOR
115V	Spd. 3	0.75	85	1/25	10mF/180V
	Spd. 2	0.66	75	1/25	10mF/180V
	Spd. 1	0.51	60	1/25	10mF/180V

Pump Performance Curve UPS-15-58

